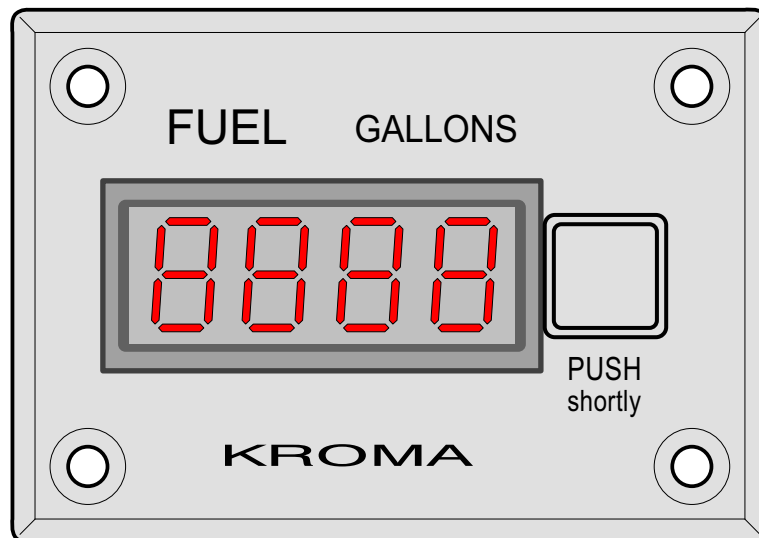


# Digital Display Unit



## DAZ 1

**KROMA**  
**FÜLLSTANDSMESSTECHNIK GmbH**  
Rostocker Straße 9-10 D-39124 Magdeburg  
Telefon: +49(0)391/2538744 Fax: +49(0)391/2538745  
E-Mail: info@KROMA.eu Internet: www.KROMA.eu

# DAZ 1 Digital Display Unit

## Description

KROMA DAZ 1 digital display units serve to display liquid levels by means of a resistor-type sensor (e. g. KROMA MWA). A 4-digit LED display with a digit height of 14 mm guarantees exact reading both in the dark and in sunshine. By shortly pressing the piezoelectric pushbutton, the digital display unit is switched on and off. The instrument automatically switches off after an on-time (0 to 16 minutes) which is variably programmable by the manufacturer. In addition, models are available with the display unit being arranged behind a hinged cover. On these models, the DAZ 1 will be actuated by an integral magnetic switch while opening the hinged cover. The rugged stainless steel housing provides a proper seal to the exterior wall of a vehicle. The DAZ 1 is suited for both front and rear mounting. For the latter, screw bolts welded to the DAZ 1 ensure that screws are not visible from the front side. Stainless steel housing, encapsulated electronics as well as piezoelectric pushbutton or magnetic switches provide optimal protection against rough ambient conditions and vandalism.

## Special Features

- Extended operating voltage range (16 to 48 V DC)
- Clearly visible 4-digit LED display, standard colour RED
- On-time (0 to 960 seconds, standard 15 seconds) programmable by the manufacturer
- Display range according to order designation, e.g. 0 to 2200
- Customized front panel design according to the liquid and unit of measurement used (litre/gallon)
- Integral piezoelectric pushbutton with ON/OFF function or magnetic switch
- Stainless steel housing for rough ambient conditions, suited for both front and rear mounting
- Approved for use on rail vehicles, compliant with EN 50155 and EN50121-3-2

## Technical Data

Operating voltage:	24 V DC (16 V to 48 V)
Power consumption operation:	approx. 3 VA
Quiescent current:	< 4 mA
Input signal:	Resistor MWA total 2 kOhm to 10 kOhm
Basic accuracy:	+/- 2.5 %
Degree of protection:	IP 68
Ambient temperature range:	-40°C to +70°C
Storage temperature range:	-55°C to +70°C
Vibratory strength:	2.83 m/s <sup>2</sup> (5 - 150 Hz)
Shock resistance:	50 m/s <sup>2</sup>
Weight:	0.150 kg
Cut-out (H x W):	38 <sup>+3</sup> x 72 <sup>+3</sup> mm
Mounting bores:	Ø5,5 mm; distance 50 <sup>±0,3</sup> x 80 <sup>±0,3</sup> mm

## Information required with order

DAZ 1 .1 3 4e -

### 2200

KROMA digital display unit, type **DAZ 1**

Mounting: "1" = from front; "2" = from rear

Operation: "0" = without switch; "1" = magnetic switch;

"2" = piezoelectric pushbutton on-time 15 sec.; "3" = piezo on-time 30 sec.

"4" = piezoelectric pushbutton on-time 60 sec.; "5" = piezo on-time 120 sec.

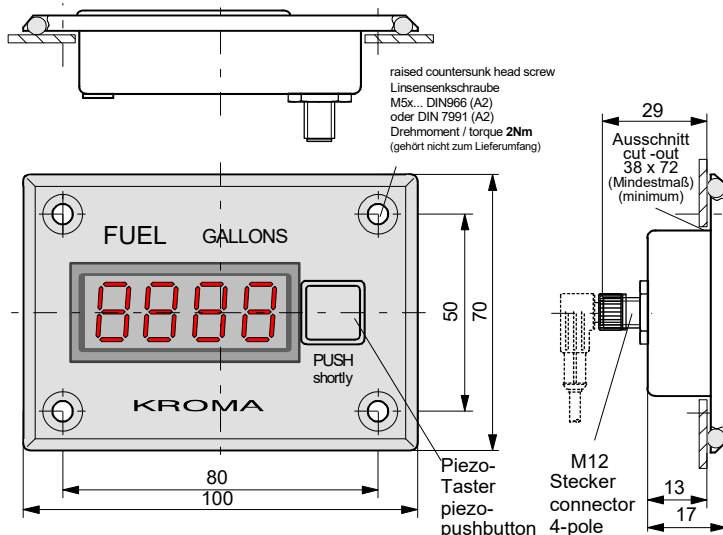
"6" = piezoelectric pushbutton on-time 240 sec.; "7" = piezo on-time 480 sec.

"8" = piezo on-time 960 sec.; "9" = piezo pushbutton continuous display ON/OFF

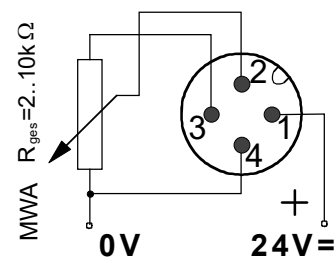
Front panel lettering, e.g. "4" = Kraftstoff; „4e“ FUEL „7“ Diesel

Display range "2200" (maximum value)

## Outline Drawing



## Terminal Assignment



Subject to technical modifications.