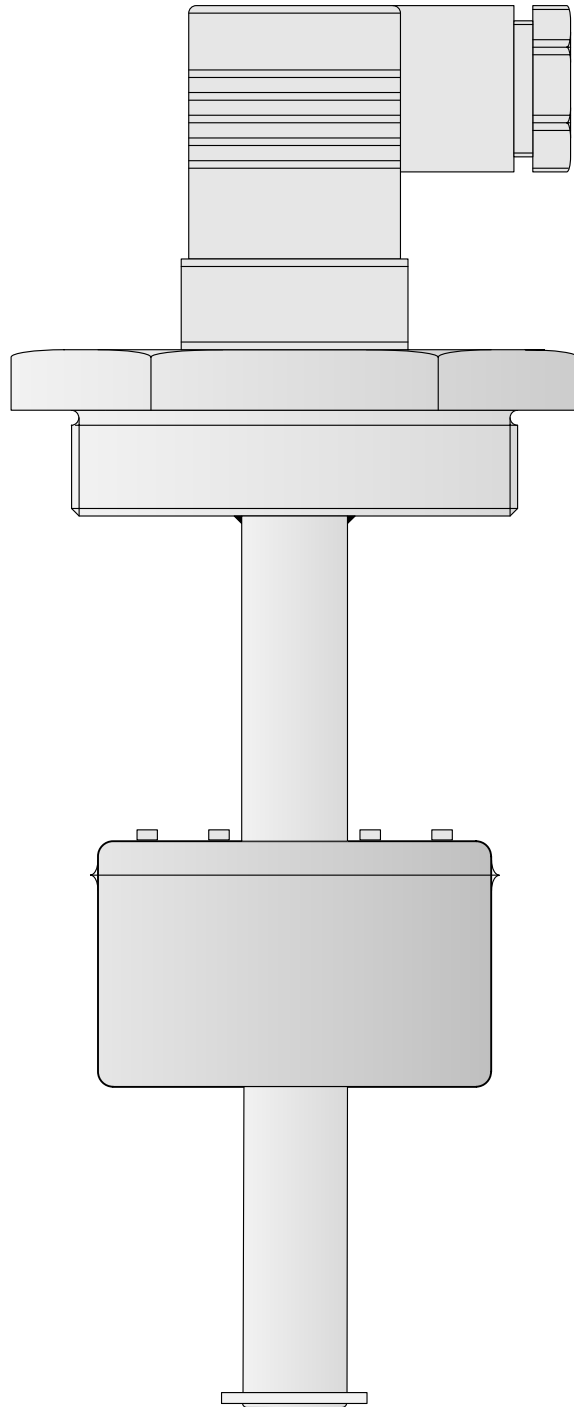


Filling Level Sensor



MWA 2

KROMA

FÜLLSTANDSMESSTECHNIK GmbH

Rostocker Straße 9-10 D-39124 Magdeburg

Telefon: +49(0)391/2538744 Fax: +49(0)391/2538745

E-Mail: info@KROMA.eu Internet: www.KROMA.eu

MWA 2 Filling Level Sensor

Description

KROMA MWA 2 filling level sensors are designed to continuously measure liquid levels of tanks by means of a float. The sensor can be furnished with different connecting elements (AA) and sliding pipes up to three meters long (L). A magnet inside the ring float serves to switch reed contacts which are potentiometer taps provided in the sliding pipe. The signal available at the electrical output is an analogous resistance signal proportional to the filling level.

The distance (grid) between reed contacts is 10 mm or 20 mm.

A three-core cable permits direct connection of several KROMA BAZ level indicators, KROMA GWS limit switches or KROMA MWU measuring transformers to one KROMA MWA 2 level sensor.

Special Features

- Only one moving part - the float
- Flange and sliding pipe of stainless steel
- Six-chamber safety float of polyamide (e. g. for diesel oil) or polyethylene (e. g. for drinking water)
- Variable installation through different connecting elements
- High degree of protection IP 65
- Vibration- and shockproof
- Tested according to German railway's standard BN 411002/EN 50155 (approved for use on rail vehicles)

Technical Data

Total resistance:	2 to 10 kOhm
Supply current:	< 5 mA
Circuit:	Three-wire-potentiometer
Grid:	10 mm or 20 mm, special version 5mm
Sliding pipe:	Length $L_{max} = 3 \text{ m}$, $\varnothing = 14 \text{ mm}$
Connecting elements:	Refer to outline drawings.
Connection:	Refer to outline drawings.
Liquid temperature range:	-40°C to 70°C
Storage temperature range:	-55°C to +70°C
Operating pressure:	$\leq 1 \text{ bar}$
Density:	$\geq 700 \text{ kg/m}$
Vibratory strength:	7.9 m/s ² (5 to 150 Hz)
Shock resistance:	50 m/s ²

Information required with order (typical order)

KROMA MWA 2 level sensor **MWA 2 . 7 1 0 - 500 - Ed**

Connecting elements "7" = AA7 (for other AAs, refer to overview)

Grid "1" = 20 mm, "2" = 10 mm, "3" = 5 mm

Mounting position "0" from top, "1" from bottom

Length L = 500 mm

Material identification "Ed" = stainless steel, "Ms" = brass, "Tw" = suited for drinking water

Outline Drawing

