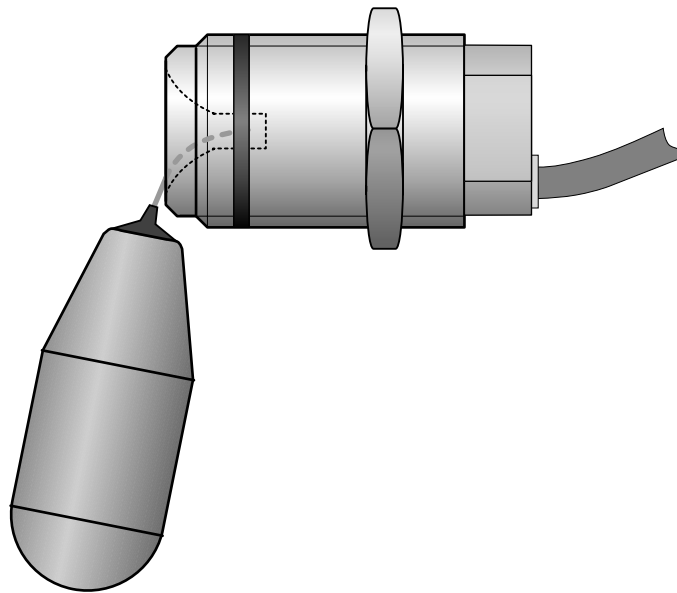


Suspended Float Switch

for faeces and extremely dirty liquids



PSS 7

KROMA
FÜLLSTANDSMESSTECHNIK GmbH
Rostocker Straße 9-10 D-39124 Magdeburg
Telefon: +49(0)391/2538744 Fax: +49(0)391/2538745
E-Mail: info@KROMA.eu Internet: www.KROMA.eu

PSS 7 Suspended Float Switch

Description

KROMA PSS 7 suspended float switches are designed to monitor levels of extremely dirty liquids in nonmagnetic tanks (e.g. of stainless steel or plastics).

A plastic float on a 3/4" plug made of brass is suspended on the end of a stainless steel cord. Float and cord are inserted in the tank through a 3/4" socket. As the float rises with the level of the liquid, the switching operation starts. A permanent magnet inside the float actuates, depending on the design, either only an upper, a lower or an upper and a lower magnetic switching contact provided in the 3/4" screw plug. The PSS 7 can be furnished with one or two switching points. The PSS 7 has simple undelayed contacts. An electronic version with delayed PNP or NPN output is available as well. For the delayed configuration, the ON state is indicated by a red signal at the transparent cable outlet. During the delay time, the signal flashes. Usually, the delay time is approx. 15 seconds. It can be programmed by the manufacturer in the range from 0.1 seconds to 4 minutes. Switching points are provided 10±5 mm below or above the centre line of the 3/4" screw plug. A seal made of special plastics protects the 3/4" screw plug against the thread of the welding sleeve. Thus, additional sealing material is not required when installing the instrument for the first time.

Special Features

- No jamming of the freely movable float - suited for extremely dirty liquids
- Easy installation - magnetic sensor inside the 3/4" screw plug
- No additional sealing material
- Integral cable (special version with M12 plug available) - watertight
- Optionally: simple electrically isolated make contact, break contact or change-over contact (without power supply) or delayed electronics output with indication of the switching position
- Electrical functional testing with actuating magnets from outside possible
- Registered utility model
- Tested according to German railways' standard BN 411002/EN 50155 (approved for use on rail vehicles)

Technical Data

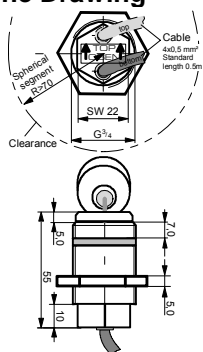
Operating voltage:	24V DC (16 to 35V)
Output :	Make contact, break contact, change-over contact: max. 35V, 0.2A, 3VA/W Delayed NPN or PNP output max. 35V, 0.5A, 10W (with display)
Current consumption:	At rest 2mA; in operation 15mA + output current (only for delayed configurations)
Switching points:	10 ± 5 mm below or above the centre line of the plug (refer to outline drawing)
Mounting:	3/4" screw plug, self-sealing, with seal made of special plastics
Electrical connection:	5x0.5 mm ² cable, halogen-free, or M12 plug
Liquid temperature range:	-40°C to 70°C
Storage temperature range:	-55°C to 70°C
Operating pressure:	≤ 110 kPa (1.1 bar)
Liquid density:	≥ 800 kg/m ³
Testing:	As per BN 411002/EN 50155
Degree of protection:	IP 65
Weight:	Approx. 0.250 kg
Vibratory strength:	20 m/s ² (5 to 150 Hz)
Shock resistance:	50 m/s ²

Information required with order

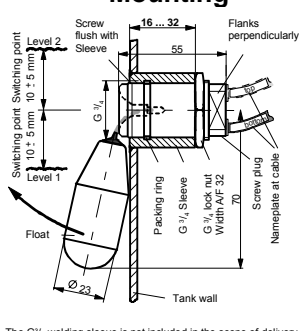
KROMA PSS 7 suspended float switch

Connecting elements	„0“ = switching point 1 only below screwed socket „1“ = switching point 2 only above screwed socket „2“ = two switching points (below and above)	PSS 7 . 0 2 0 - 0 K
Type of contact	„1“ = break contact for rising levels „2“ = make contact for rising levels „3“ = change-over contact (<u>only undelayed version</u>)	
Version	„0“ = simple contact undelayed „1“ = NPN-transistor (high side load) delayed (with display) „2“ = PNP-transistor (low side load) delayed (with display)	
Delay	„0“ = none, „15“ = delay time 15 s	
Connection	„K“ = cable 4x0.5mm ² , standard length 0.5m (other lengths on request) „S“ = M12x1 plug (not available for PSS 7.2 __)	

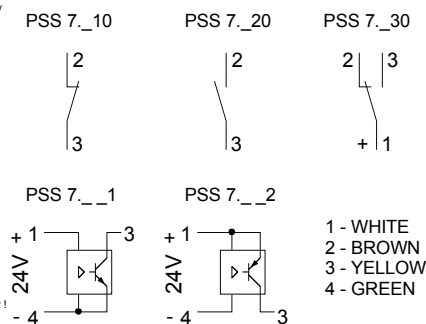
Outline Drawing



Mounting



Terminal Assignment



The G 3/4 welding sleeve is not included in the scope of delivery!
Subject to technical modifications