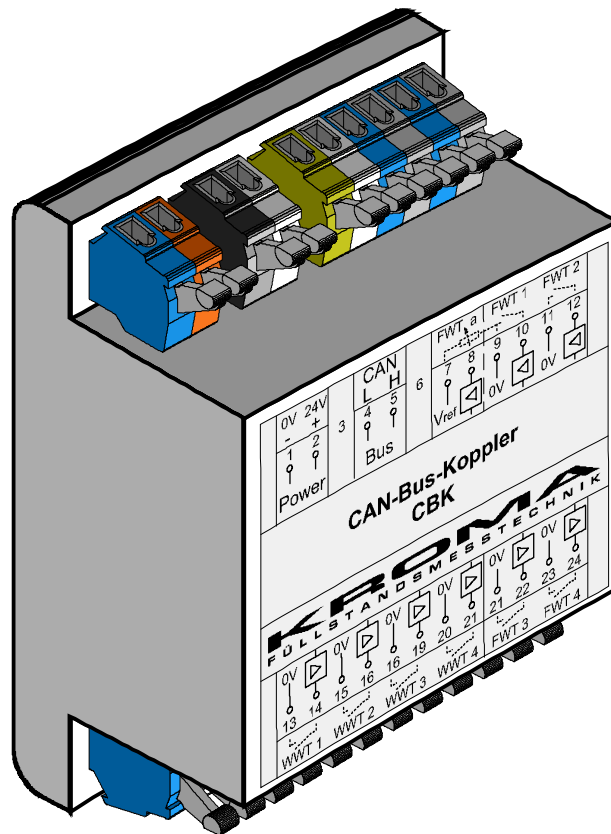


# CAN Bus Coupler



## CBK 1

**KROMA**  
FÜLLSTANDSMESSTECHNIK GmbH  
Rostocker Straße 9-10 D-39124 Magdeburg  
Telefon: +49(0)391/2538744 Fax: +49(0)391/2538745  
E-Mail: info@KROMA.eu Internet: www.KROMA.eu

# CBK 1 CAN Bus Coupler

## Description

KROMA CBK 1 CAN bus couplers serve to connect KROMA's proven level instruments to a CAN bus. The can bus permits economical wiring, and thus helps to reduce costs. A maximum of four binary fresh water and four binary sewage water sensors can be connected to the CBK 1. Optionally, the binary fresh water sensors can be replaced by one KROMA level sensor. Configuration of the CBK 1 is via the CAN bus. The user can adjust the measuring values to customized characteristics. To eliminate the risk of evaluation faults caused by hunting, the delay time until detection of filling level changes can be configured by the customer. Via the CAN bus, up to eight display units of the KROMA BAZ 24 („CAN BAZ“) type can be connected to the CBK 1. The CBK 1 comes in three different housing versions.

## Special Features

- Interface between KROMA level instruments and CAN bus
- Connection of up to 4 fresh water and 4 sewage water sensors
- Configuration via CAN bus
- Tested according to German railways' standard BN 411002/EN 50155 (approved for use on rail vehicles)

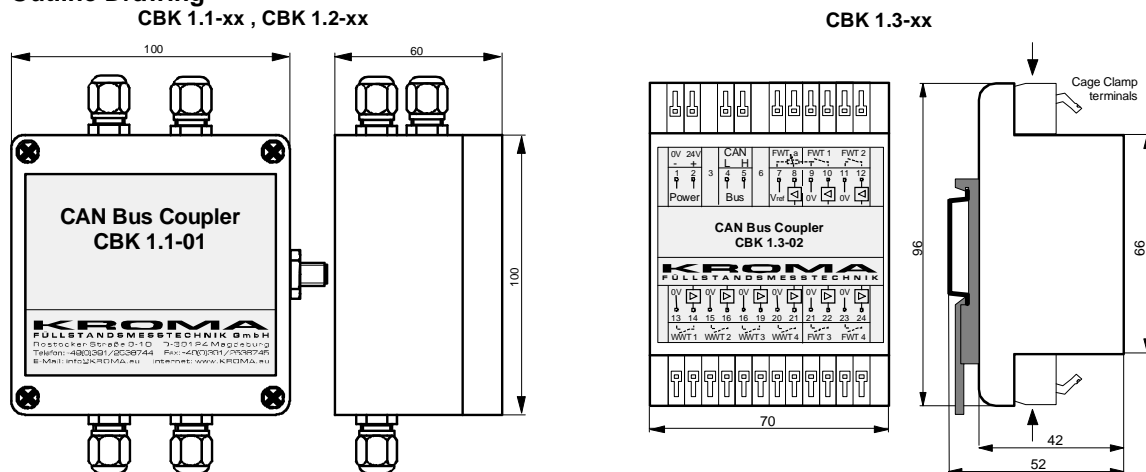
## Technical Data

Input voltage:	18 V to 32 V DC
Input current (at 24V):	10 mA
CAN interface:	CAN 2.0, 100 kBit/s
Connector CAN interface:	M12 connector
Ambient temperature range:	-40°C to +70°C
Storage temperature range:	-55°C to +70°C
Weight:	0.080 kg
Mounting:	35 mm standardized bar as per DIN 46277
Vibratory strength:	7.9 m/s <sup>2</sup> (5-150 Hz)
Shock resistance:	50 m/s <sup>2</sup>

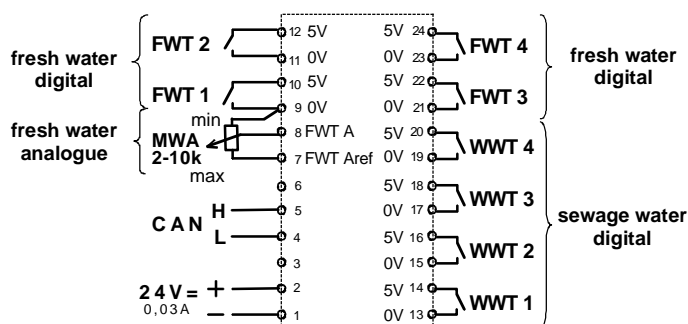
## Information required with order

KROMA CBK 1 CAN bus coupler	_____	<b>CBK 1 . 1 - 01 . 01</b>
Enclosure	„1“= plastic housing	_____
	„2“= aluminium housing	_____
	„3“= for standardized bars	_____
Software version	_____	_____

## Outline Drawing



## Terminal Assignment



Subject to technical modifications.

## Typical Circuit

