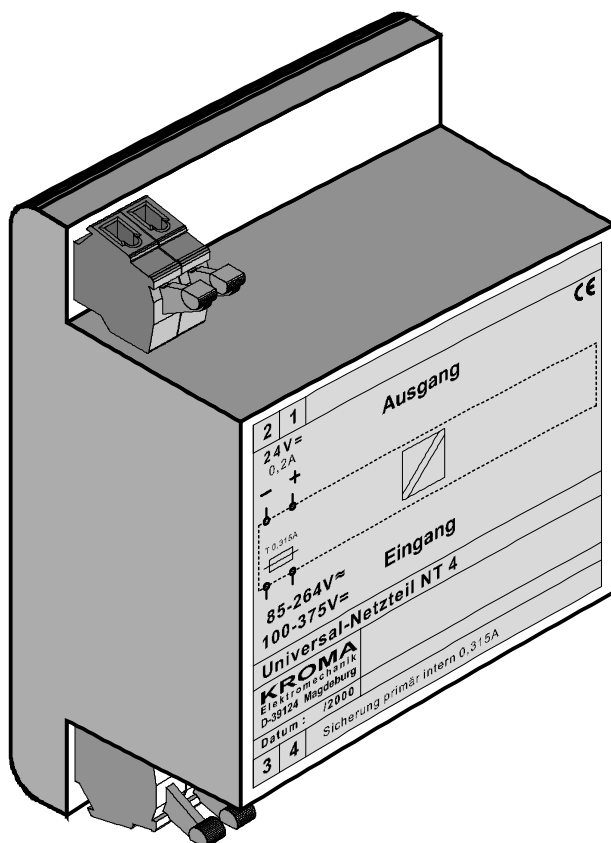


Power Pack



NT 4

KROMA
FÜLLSTANDSMESSTECHNIK GmbH
Rostocker Straße 9-10 D-39124 Magdeburg
Telefon: +49(0)391/2538744 Fax: +49(0)391/2538745
E-Mail: info@KROMA.eu Internet: www.KROMA.eu

NT 4 Universal Power Pack

Description

KROMA NT 4 universal power packs are designed to feed KROMA control devices, KROMA level indicators and KROMA MWU measuring transformer.

The input line voltage can either be a direct-current voltage or an alternating voltage varying within wide ranges.

The smoothed output voltage (24V DC) is stabilized. Readiness for operation is signalled by a light-emitting diode. The secondary circuit of KROMA NT 4 power packs is short circuit-proof. The primary circuit is protected by a fuse provided within the housing.

The KROMA NT 4 universal power pack is housed in a small-size enclosure designed for quick connection on standardized bars 35mm as per DIN 46277 and DIN EN 50022.

Connection is through cage clamp terminals.

Special Features

- Wide range of input voltages for direct-current or alternating voltages
- Stabilized output voltage
- Small dimensions
- Operating voltage signalled by LED
- Galvanic isolation from mains supply
- Easy installation through quick connection on a standardized bar 35mm as per DIN 46277 and EN 50022
- Tested according to German railways' standard BN 411002/EN50155 (approved for use on rail vehicles)

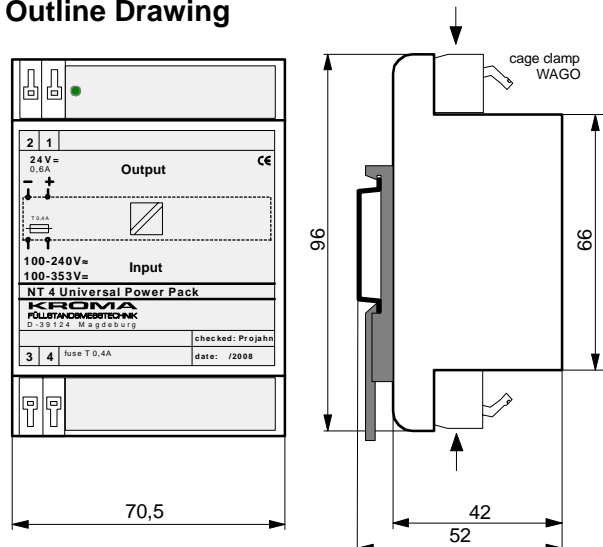
Technical Data

Input voltage:	100V to 240V AC (47 to 63Hz) or 100V to 353V DC
Input fuse:	0.4 A
Output voltage:	24 V DC
Output current :	0.6 A
Testing voltage (prim.-sec.):	3,000 V
Degree of protection:	Housing IP 40, terminals IP 20
Ambient temperature range:	-40°C to +70°C
Storage temperature range:	-55°C to +70°C
Weight:	0.2 kg
Vibratory strength:	20 m/s ² (5 to 150 Hz)
Shock resistance:	50 m/s ²

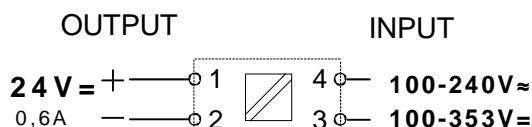
Information required with order

NT 4 KROMA universal power pack with 'Cage Clamp' terminals

Outline Drawing



Terminal Assignment



Subject to technical modifications.