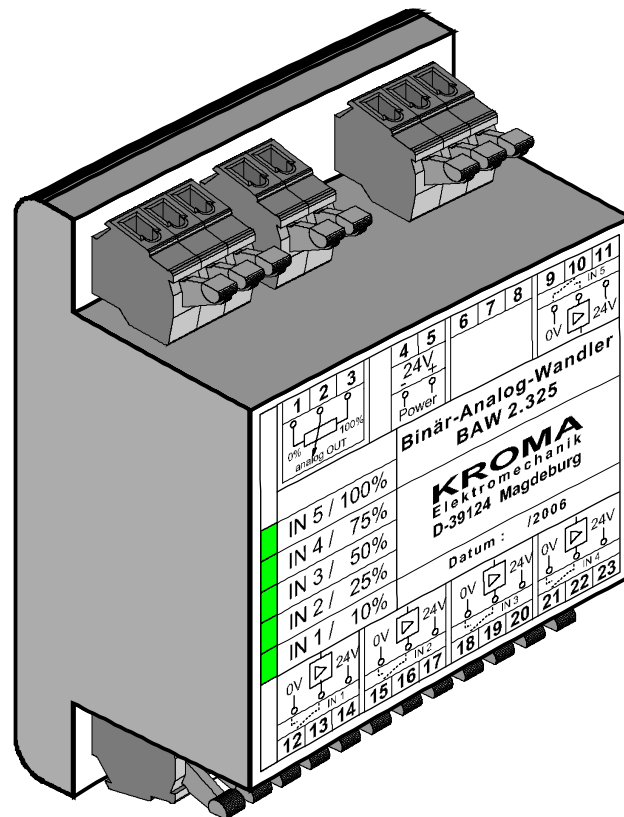


Binary-to-Analogue Converter



BAW 2

KROMA
FÜLLSTANDSMESSTECHNIK GmbH
Rostocker Straße 9-10 D-39124 Magdeburg
Telefon: +49(0)391/2538744 Fax: +49(0)391/2538745
E-Mail: info@KROMA.eu Internet: www.KROMA.eu

BAW 2 Binary-to-Analogue Converter

Description

KROMA BAW 2 binary-to-analogue converters are used to convert three to six separate binary filling level signals to an electrically isolated analogous signal proportional to the filling level. This analogous signal is compatible with the analogous input signals of KROMA BAZ level indicators. Please specify in your order which filling level each of the input contacts should indicate. Input contacts shall connect, when the respective level is exceeded. A maximum of three KROMA BAZ level indicators can be driven by one BAW 2. The BAW 2 is designed for connection on a 35 mm standardized bar.

Special Features

- Galvanic isolation between input and output
- Models for positive- and negative-switching sensors available
- Resistor output to drive KROMA BAZ level indicators
- No separate operating voltage required

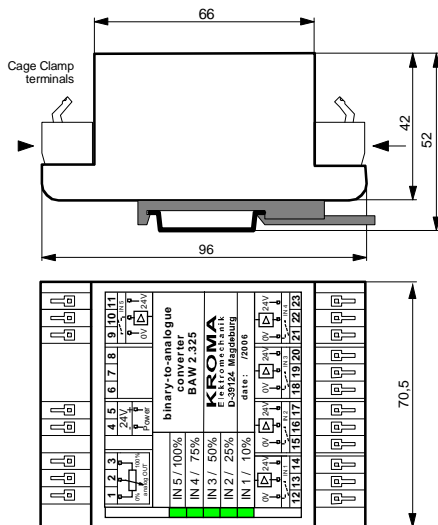
Technical Data

Input voltage:	18 V to 32 V DC
Input current (at 24 V):	10 mA
Output:	Resistance signal R_i approx. 2 K Ω
Ambient temperature range:	-30°C to +55°C
Storage temperature range:	-55°C to +85°C
Weight:	0.080 kg
Mounting:	35 mm standardized bar as per DIN 46277

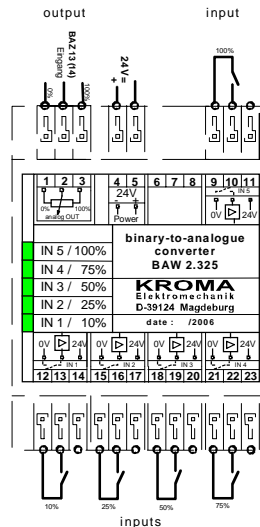
Information required with order (typical order)

KROMA **BAW 2** binary-to-analogue converter **BAW 2 . 1 1 3**
 Enclosure „1“= plastic housing, „2“= aluminium housing, „3“= for standardized bars
 Input „1“= sensors switch +24 V, „2“= sensors switch 0 V
 Number of inputs „3“= 3 sensors, „4“, „5“ or „6“ sensors

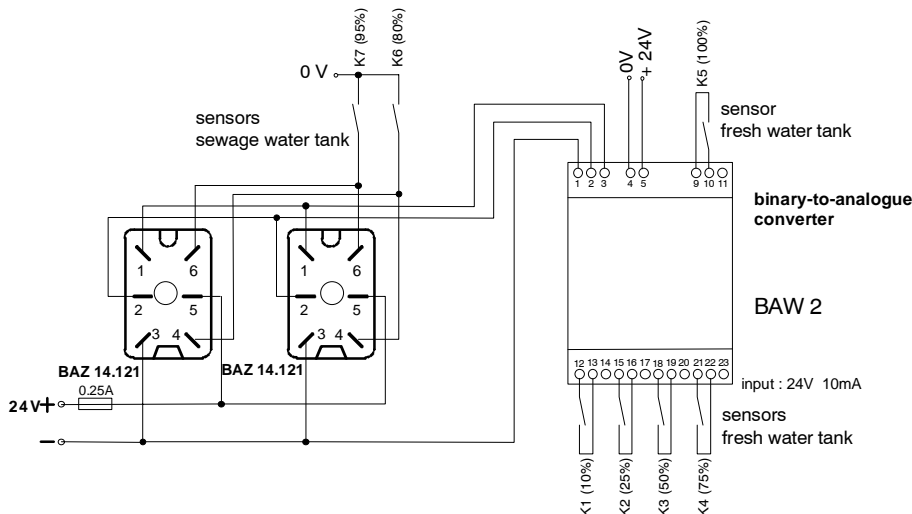
Outline Drawing



Terminal Assignment



Typical Circuit (2 off BAZ 14 to 1 off BAW 2 with 5 fresh water sensors)



Subject to technical modifications.